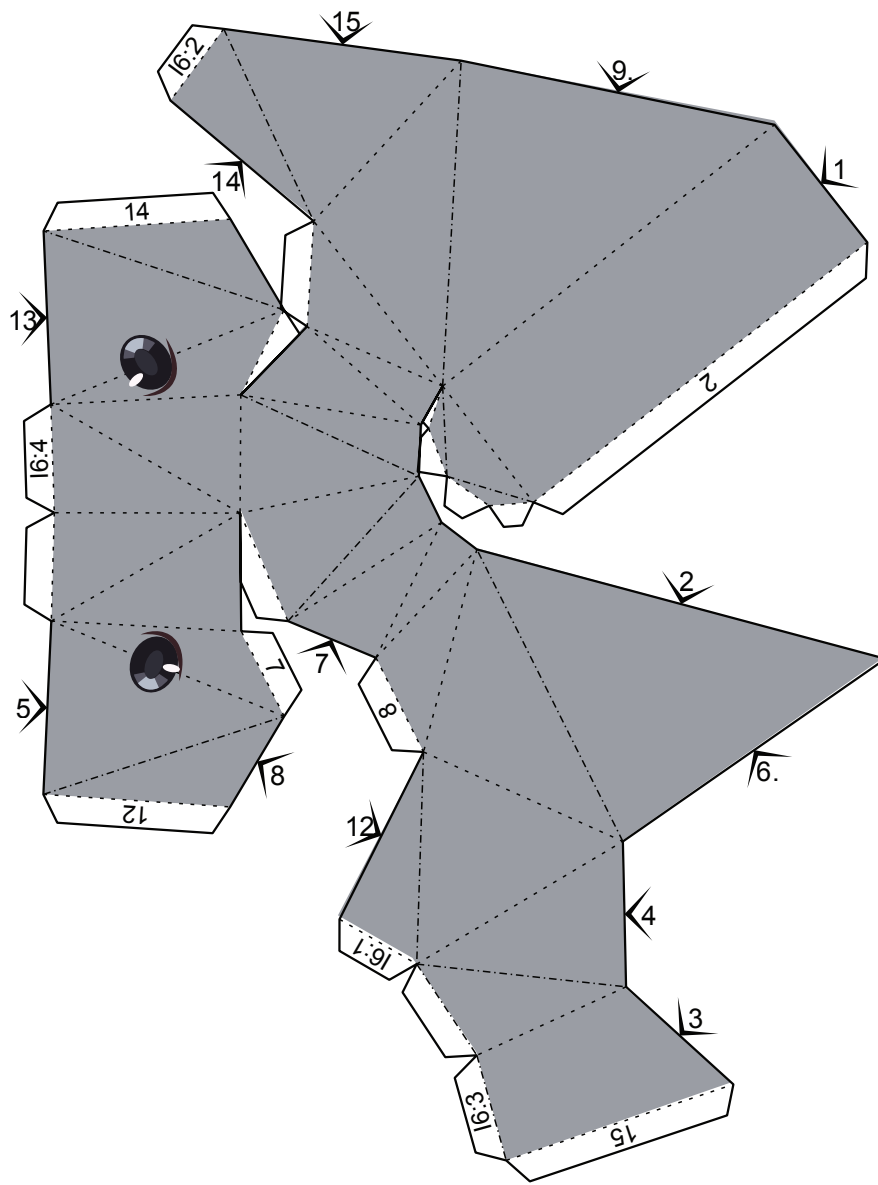


[I2] Island 2



[[1] Island 1

